

Model	Px3-15	Px3-20	Px3-25	Px3-35	Px3-40	Px3-46	Px3-55	Px3-64	
Displacement [ccm/rev]	15,0	20,0	26,4	34,9	39,9	45,8	54,9	64,1	
Rated pressure [MPa]	25							23	
Max speed [rpm]	2700								

x- A standard performance  
- E performance with bearing

 Dimensions 1

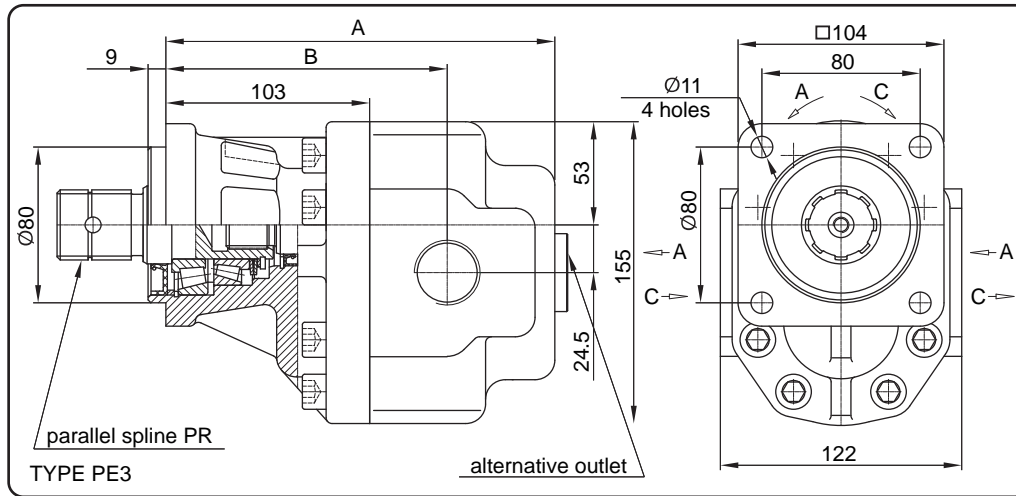
 Dimensions 2

## HOW TO ORDER

PUMP	SEAL DESIGN	TYPE	DRIVE SHAFTS	FLANGES	PORTS	Rotation A- anticlockwise C- clockwise
P	E	3-20	BT	10	ES	C
P	A* E*	3-15	BT PR	10 12	ES GS	A C
		3-20				
		3-26				
		3-35				
		3-40				
		3-46				
		3-55				
		3-64				

\*x- A standard performance  
\*- E performance with bearing

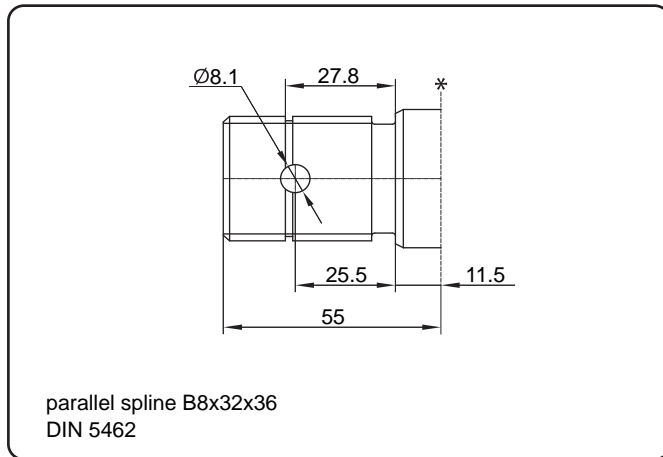
### DIMENSIONS DATA



SIZE	A	B*	WEIGHT [kg]
PE3-15	177	138	12,5
PE3-20	180	141	12,8
PE3-26	185		13,2
PE3-35	188	141/144,5*	13,4
PE3-40	191,5		13,8
PE3-46	197	148/151*	14,3
PE3-55	202,5		14,8

\* FIRST NUMBER - dimensions for threaded ports  
SECOND NUMBER - dimensions for flanged ports

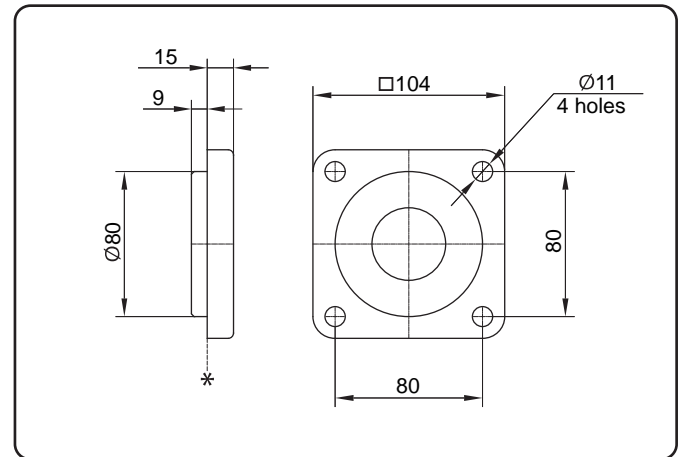
### DRIVE SHAFTS



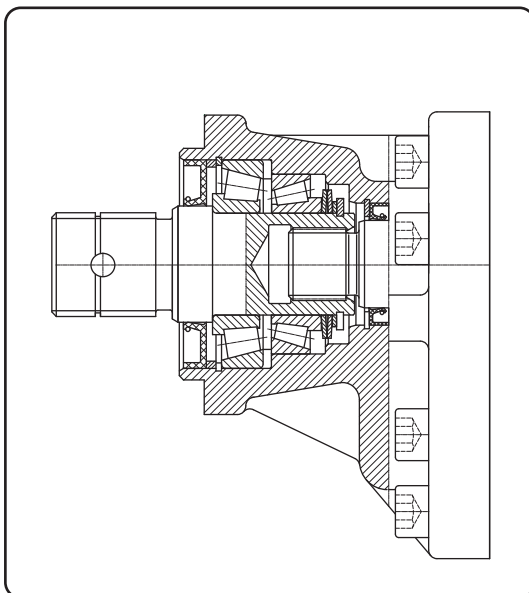
parallel spline B8x32x36  
DIN 5462

code PR

### MOUNTING FLANGE

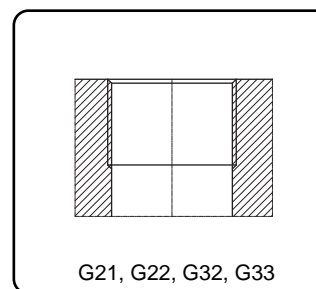


code 10



code E

### SEAL DESIGN



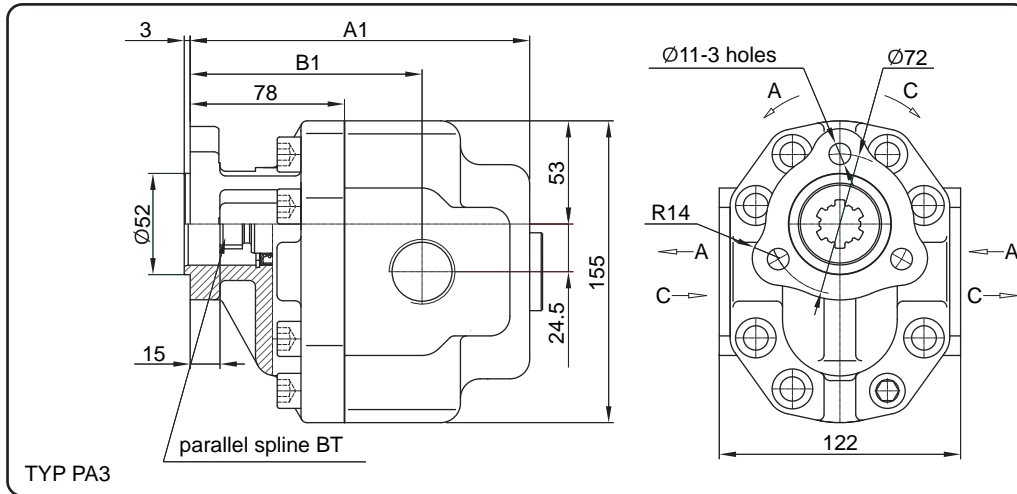
G21, G22, G32, G33

### PORTS

TYPE	INLET	OUTLET	CODE PORTS
20,26,35,40	3/4"B.S.P.P	3/4"B.S.P.P	G22
46,55,64	1"B.S.P.P	1"B.S.P.P	G33
20,26,35	3/4"B.S.P.P	1/2"B.S.P.P	G21
40,46,55,64	1"B.S.P.P	3/4"B.S.P.P	G32

\* standard flange mounting surface

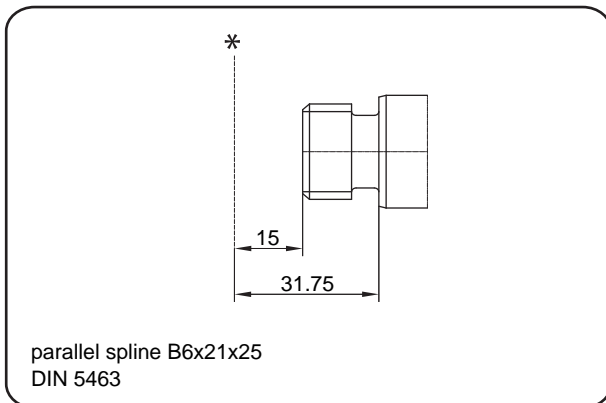
### DIMENSIONS DATA



SIZE	A	B*	WEIGHT [kg]
PE3-15	177	138	12,5
PE3-20	180	141	12,8
PE3-26			
PE3-35	185	141/144,5*	13,2
PE3-40	188		13,4
PE3-46	191,5	141/144,5*	13,8
PE3-55	197		14,3
PE3-64	202,5	148/151*	14,8

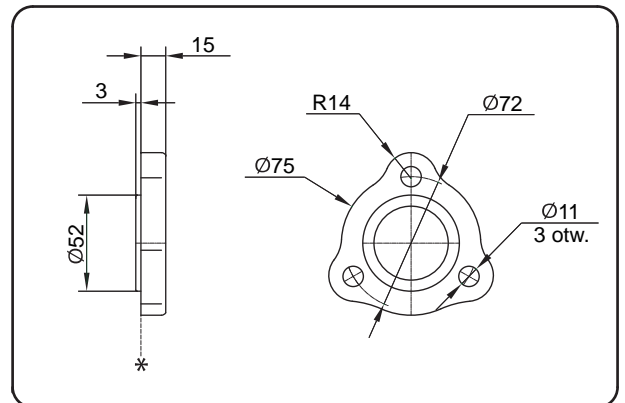
\* FIRST NUMBER - dimensions for threaded ports  
SECOND NUMBER- dimensions for flanged ports

### DRIVE SHAFTS

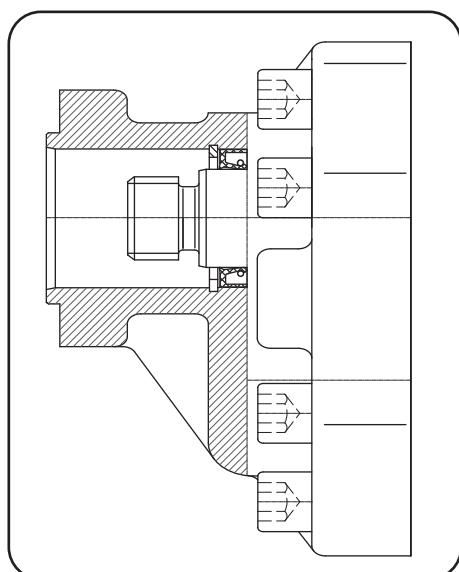


code PR

### MOUNTING FLANGE

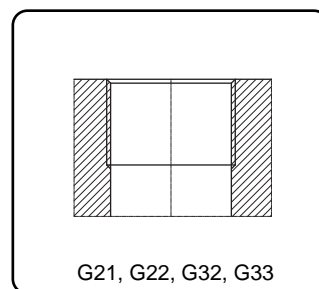


code 10



code E

### SEAL DESIGN



### PORTS

TYPE	INLET	OUTLET	CODE PORTS
20,26,35,40	3/4"B.S.P.P	3/4"B.S.P.P	G22
46,55,64	1"B.S.P.P	1"B.S.P.P	G33
20,26,35	3/4"B.S.P.P	1/2"B.S.P.P	G21
40,46,55,64	1"B.S.P.P	3/4"B.S.P.P	G32

\* standard flange mounting surface